

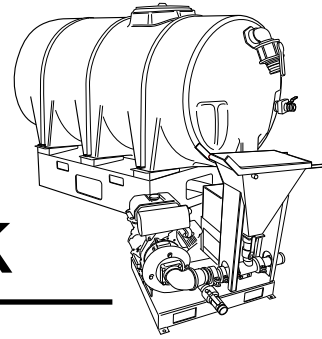
PERFORMIX[®]

Mixing System

Owners Manual

- *OPERATION*
- *PARTS*

straightlinehdd.com

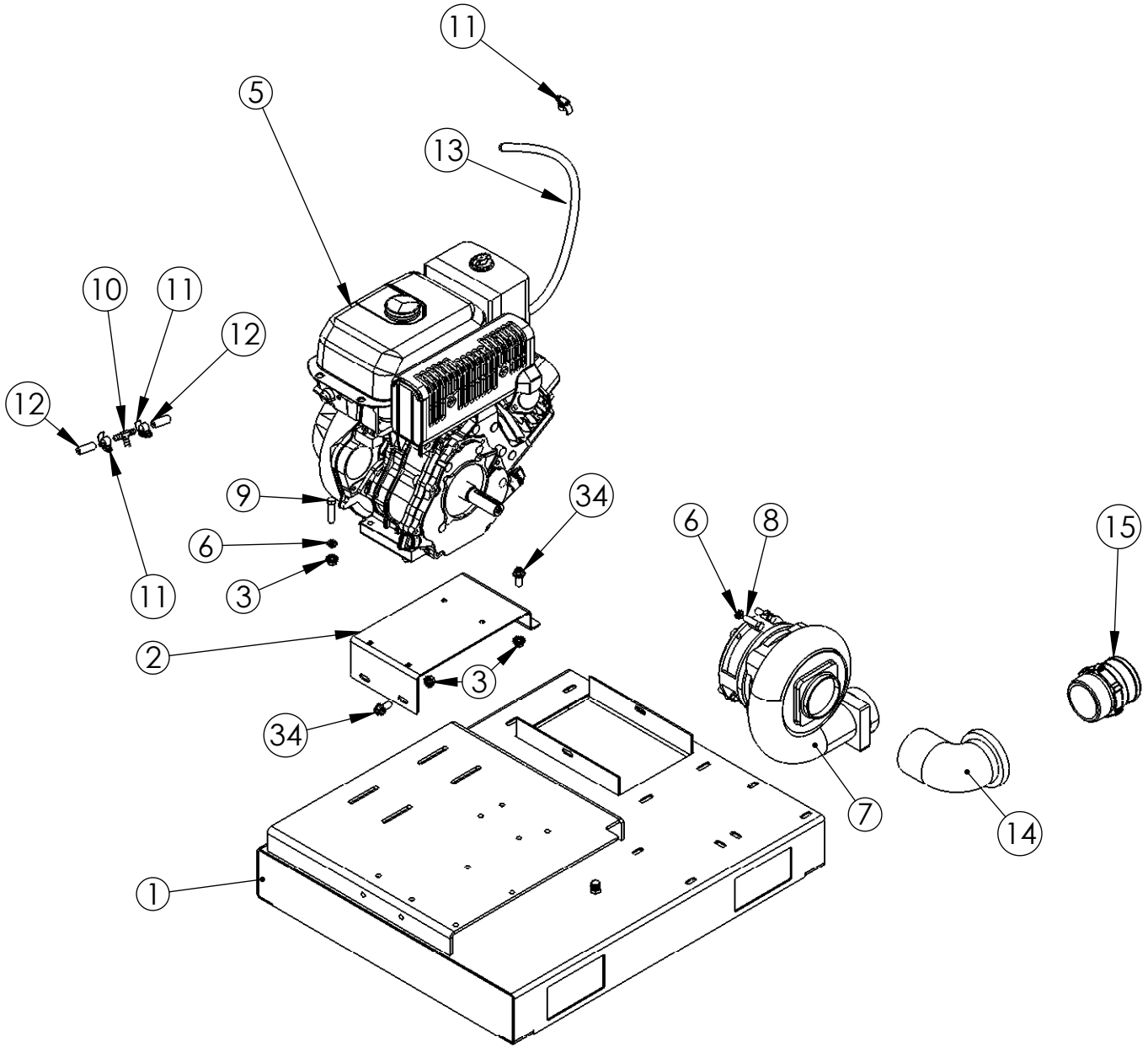


Performix Parts Book

Contents

- 1 ENGINE AND PUMP MOUNT ASSEMBLY
- 3 AUXILIARY FUEL TANK MOUNT
- 5 HOPPER AND VENTURI ASSEMBLY
- 7 REPAIR PARTS - JOHN BLUE PUMP (12HP AND 20 HP UNITS)

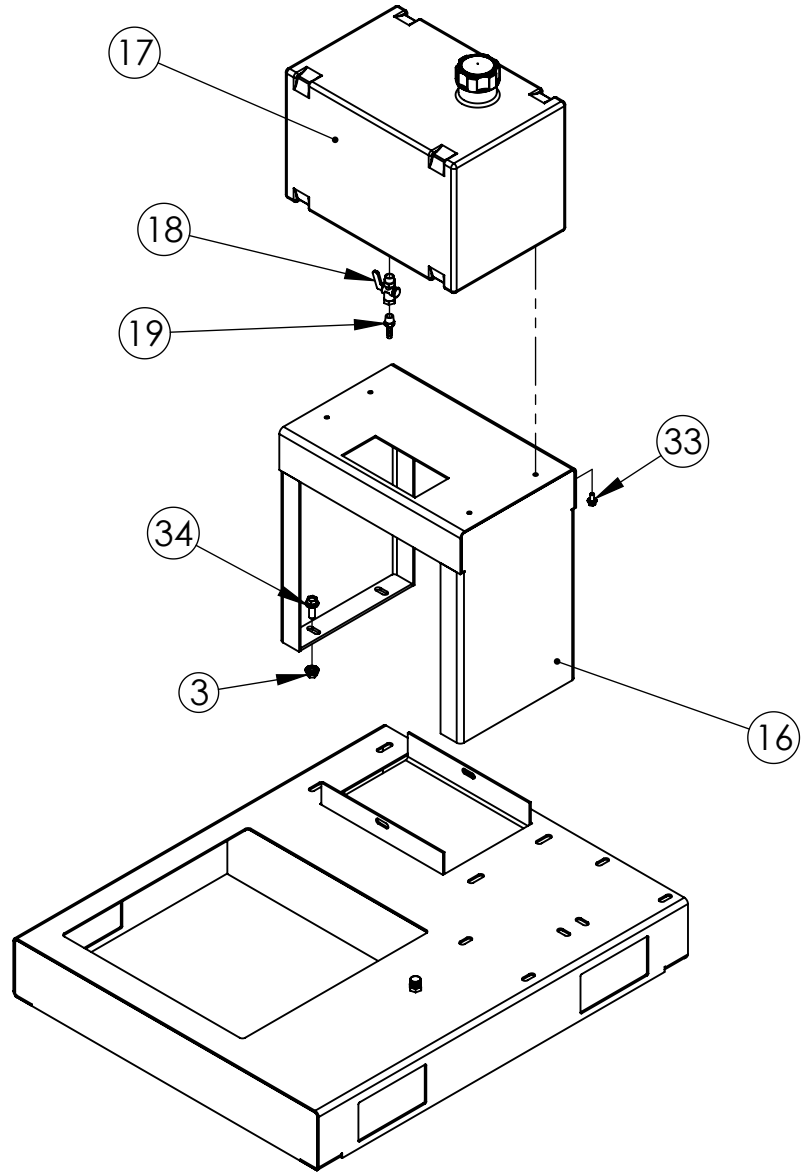
ENGINE AND PUMP MOUNT ASSEMBLY



ENGINE AND PUMP MOUNT ASSEMBLY

ITEM NO.	PART NUMBER	DESCRIPTION	QTY
1	70875	SKID BASE	1
2	63941	MOUNT-ENGINE	1
3	3816WHN	NUT, WHIZ, 3/8-16	16
5	22001	ENGINE-CS12T KOHLER	1
6	38LW	WASHER, LOCK, 3/8"	10
7	22002_new	PUMP, CENTRIFUGAL, 3.00IN	1
8	3816X112HB	BOLT, HEX, 3/8-16 X 1 1/2" LONG	6
9	3816X134HB	BOLT, HEX, 3/8-16 X 1 3/4" LONG	2
10	22170	TEE- 0.250	1
11	#6 CLAMP	#6 HOSE CLAMP	3
12	65594	1/4" Fuel Line - 1.5" long	2
13	65595	1/4" FUEL LINE - 33" LONG	1
14	22038	ELBOW-STREET, 3.00	1
15	22036	BANJO - 3" MALE PIPE X 3" MALE CAM LOCK	1
34	3816X1WHB	BOLT, WHIZ, 3/8-16 X 1" LONG	12
47	6MPPLUG	PLUG-PIPE,5/8 NPT	1

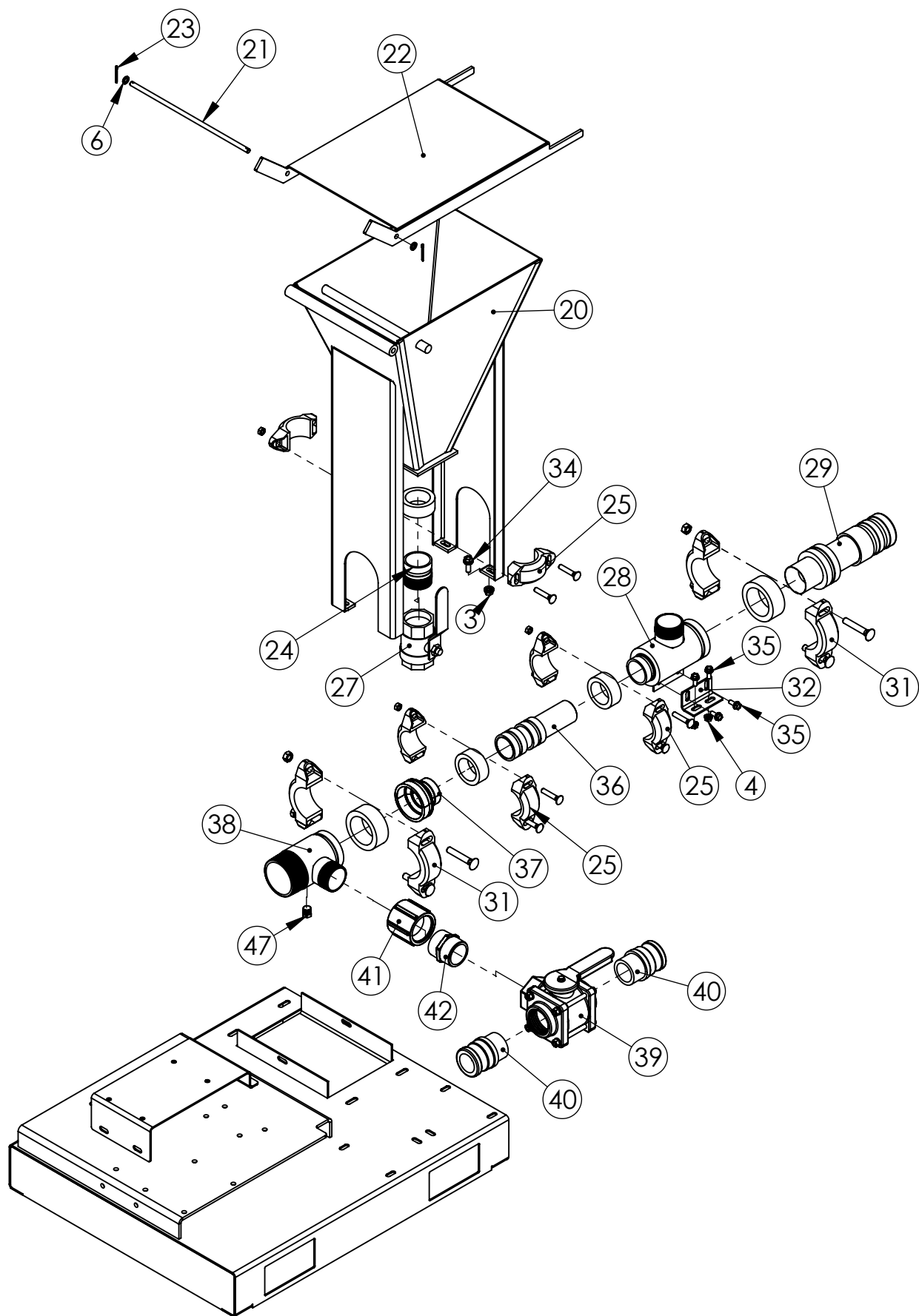
AUXILIARY FUEL TANK MOUNT



AUXILIARY FUEL TANK MOUNT

ITEM NO.	PART NUMBER	DESCRIPTION	EXPLODE: Fuel Tank Mount/QTY.
3	3816WHN	NUT, WHIZ, 3/8-16	16
16	70874	TANK RISER	1
17	22000	FUEL TANK - PERFORMIX	1
18	22169	VALVE-SHUTOFF, 0.250	1
19	22171	FITTING-HOSE, 0.250	1
33	1420X12WHB	BOLT, WHIZ, 1/4-20 X 1/2" LONG	4
34	3816X1WHB	BOLT, WHIZ, 3/8-16 X 1" LONG	12

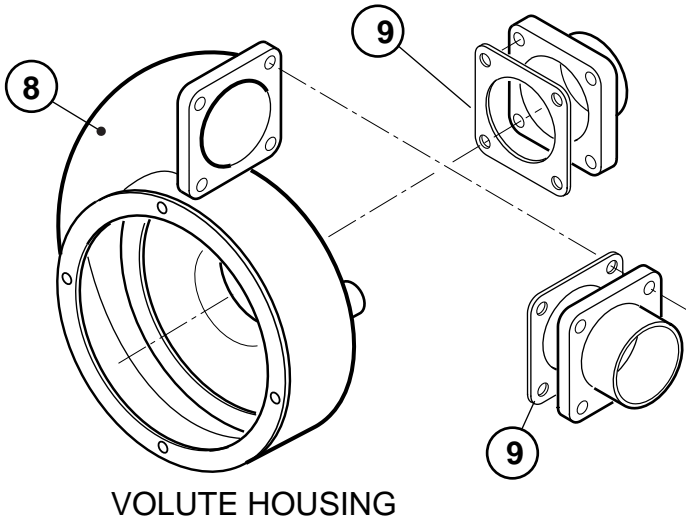
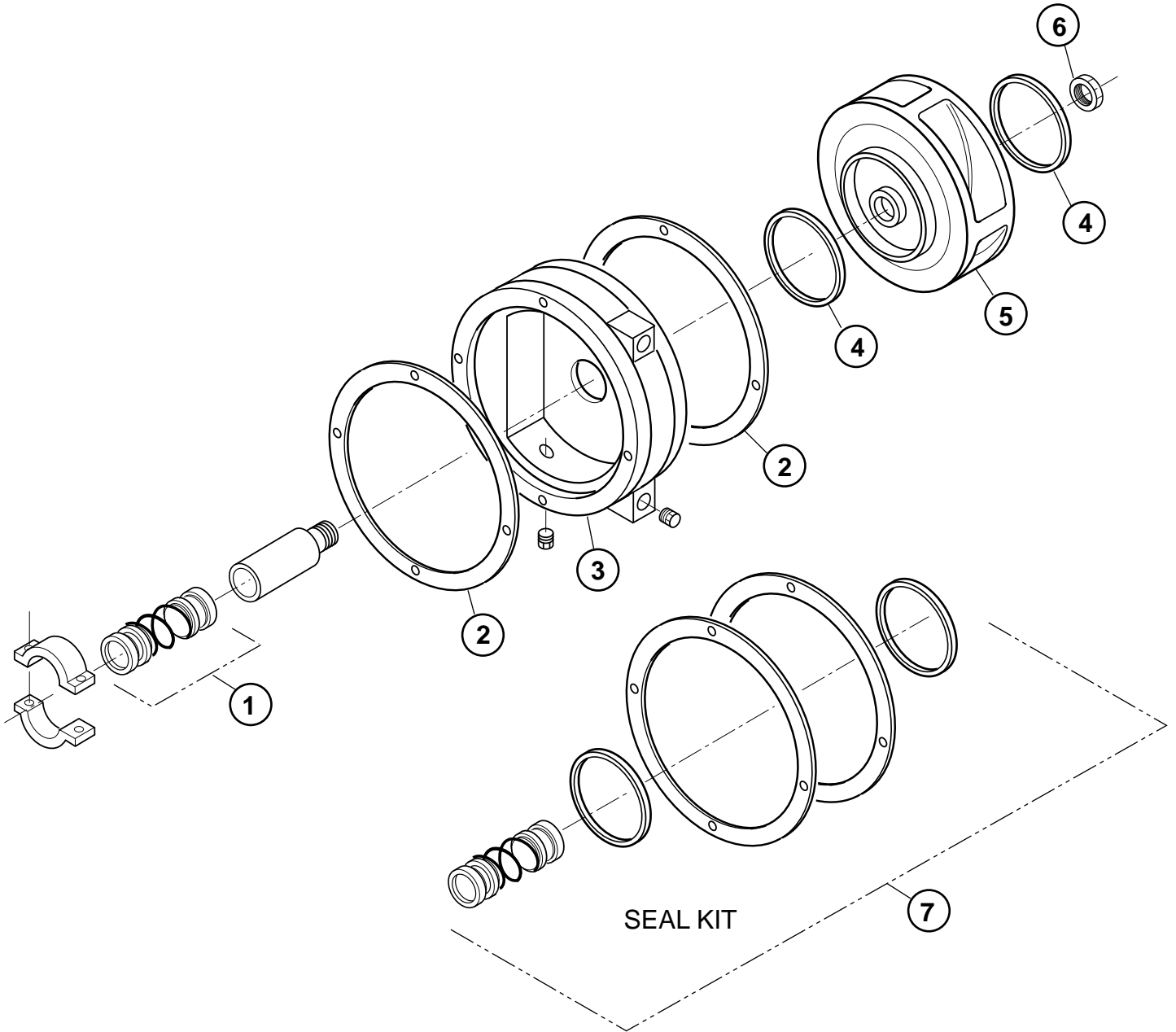
HOPPER AND VENTURI ASSEMBLY



HOPPER AND VENTURI ASSEMBLY

ITEM NO.	PART NUMBER	DESCRIPTION	EXPLODE: Hopper and Venturi/QTY.
3	3816WHN	NUT, WHIZ, 3/8-16	16
4	51618WHN	NUT, WHIZ, 5/16-18	2
6	38LW	WASHER, LOCK, 3/8"	10
20	70887	HOPPER	1
21	63935	ROD LID	1
22	70883	LID HOPPER	1
23	236-2978-02	COTTER PIN-.125 X 1.250	2
24	64015	TUBE 2" GROOVLOK	1
25	120957_1	GRUVLOK COUPLING_2.00	3
27	236-7978-02	VALVE-BALL, 2.00 BRASS	1
28	70499	TEE	1
29	70885	VENTURI	1
31	120958_1	GRUVLOK COUPLING_3.00	2
32	63939	SHEET L BRACKET	1
34	3816X1WHB	BOLT, WHIZ, 3/8-16 X 1" LONG	12
35	51618X34WHB	BOLT, WHIZ, 5/16-18 X 3/4" LONG	4
36	70819	MUD MIXER JET	1
37	120991	REDUCER FITTING-2.00 X 3.00 GRUVLOK	1
38	70822	TEE	1
39	22583	3-WAY VALVE	1
40	236-3757-02	QUICK CONNECT-2.00 M X 2.00 MNPT	2
41	22459	FITTING, POLY, BANJO, CPLG200	1
42	22458	BANJO - 2" NIPPLE SHORT	1
47	6MPPLUG	PLUG-PIPE,5/8 NPT	1

REPAIR PARTS - JOHN BLUE PUMP (12HP & 20HP)



VOLUTE HOUSING

REPAIR PARTS - JOHN BLUE PUMP (12HP & 20HP)

ITEM	PART NO.	DESCRIPTION	QTY
1	22434	DOUBLE SEAL KIT	1
2	22435	GASKET, SEAL	2
3	22438	RESERVOIR	1
4	22420	ANNULAR SEAL	2
5	22421	IMPELLER	1
6	22422	LOCKNUT, 3/4-16 LEFT HAND	1
7	22433	SEAL KIT (INCL: 22434(1), 22435(X2), 22420(X2))	1
8	22437	VOLUTE HOUSING	1
9	22436	FLANGE GASKET	2