

---

# **PERFORMIX**<sup>®</sup> *ULTRA*

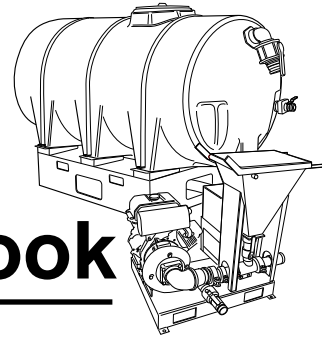
Mixing System

---

## Owners Manual

- *OPERATION*
- *PARTS*

[straightlinehdd.com](http://straightlinehdd.com)

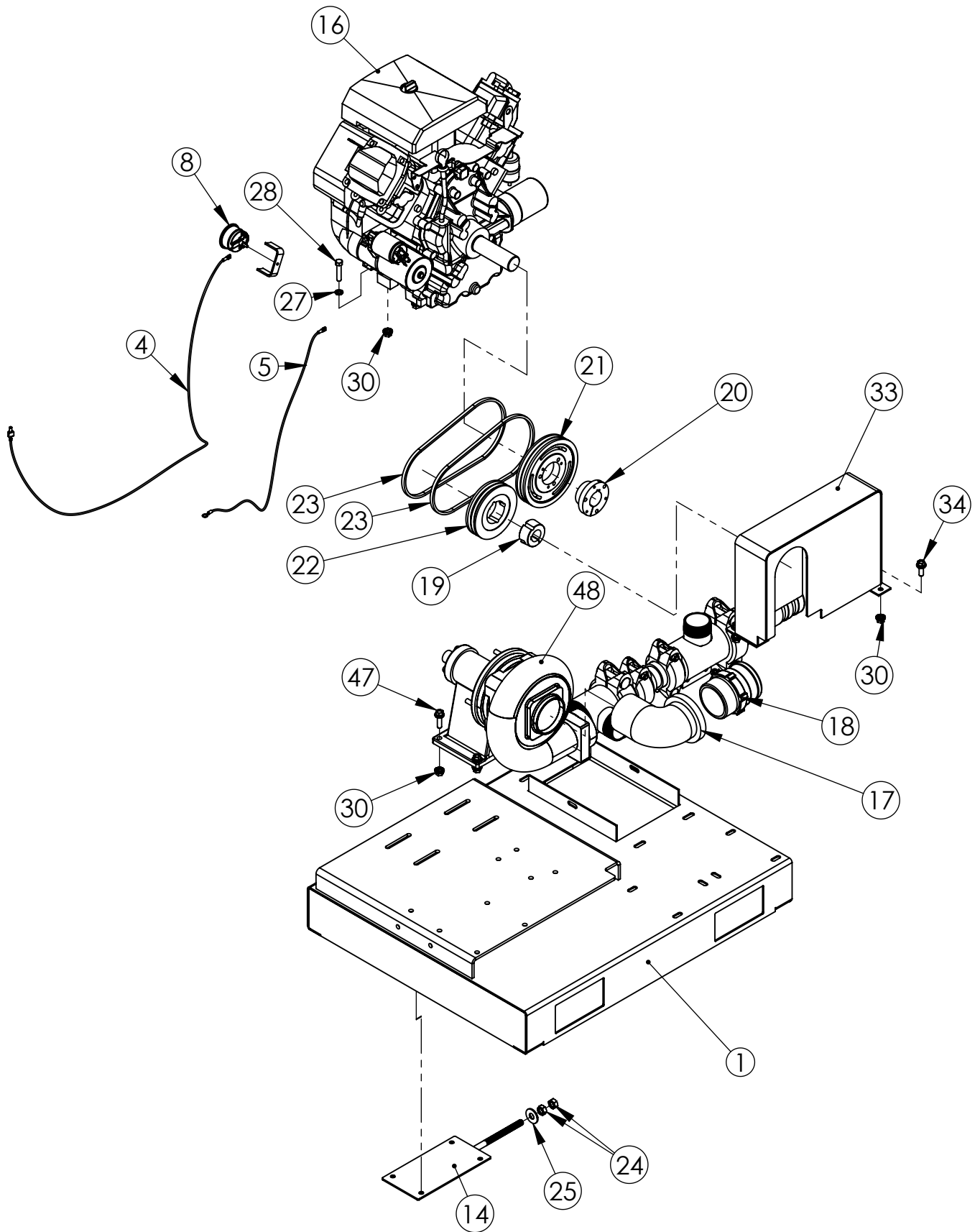


# Performix Ultra Parts Book

## *Contents*

- 1 ENGINE AND PUMP MOUNT ASSEMBLY
- 3 AUXILIARY FUEL TANK MOUNT
- 5 HOPPER AND VENTURI ASSEMBLY
- 7 REPAIR PARTS - JOHN BLUE PUMP (12HP AND 20 HP UNITS)

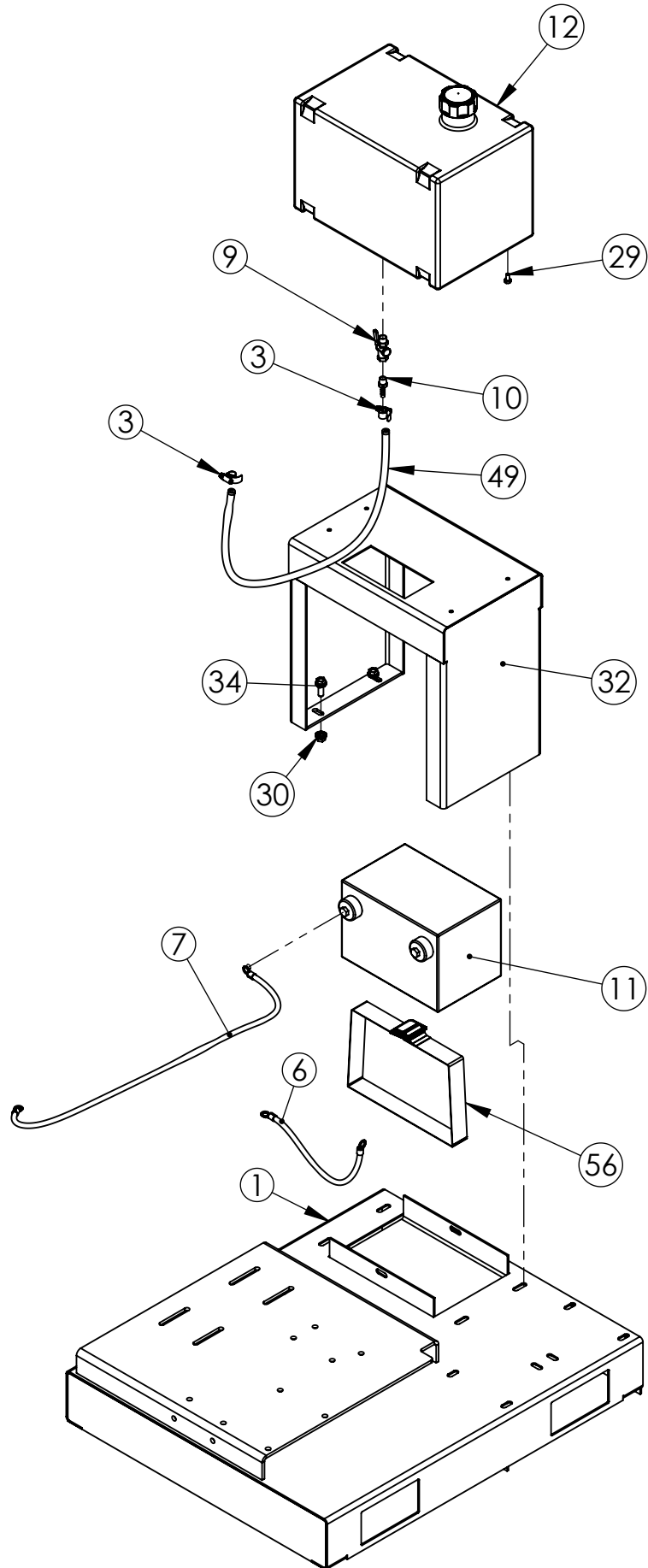
# ENGINE AND PUMP ASSEMBLY PERFORMIX ULTRA



ENGINE AND PUMP ASSEMBLY  
PERFORMIX ULTRA

ITEM NO.	PART NUMBER	DESCRIPTION	QTY
1	70875	SKID BASE	1
4	80728	PERFORMIX ULTRA, POS HR METER WIRE ASSY	1
5	80729	PERFORMIX ULTRA, NEG HR METER WIRE ASSY	1
8	236-8787-02	HOURMETER ASSY	1
14	70873	BELT TENSIONER	1
16	21997	KOHLER 20 HP ENGINE	1
17	22038	ELBOW-STREET, 3.00	1
18	22036	BANJO - 3" MALE PIPE X 3" MALE CAM LOCK	1
19	21994	BUSHING, DEDGE, 1 1/4	1
20	21995	BUSHING, QD, 1 7/16	1
21	21993	SHEAVE, 26R3VQD	1
22	21992	SHEAVE, 2/3 V5 TL	1
23	21991	V-BELT	2
24	1213HN	NUT, HEX, 1/2-13	2
25	12FW	WASHER, FLAT, 1/2"	1
27	38LW	WASHER, LOCK, 3/8"	4
28	3816X134HB	BOLT, HEX, 3/8-16 X 1 3/4" LONG	4
30	3816WHN	NUT, WHIZ, 3/8-16	19
33	70878	BELT GUARD	1
34	3816X1WHB	BOLT, WHIZ, 3/8-16 X 1" LONG	11
47	3816X114WHB	BOLT, WHIZ, 3/8-16 X 1 1/4" LONG	8
48	21999	PUMP-JOHN BLUE, 3.00 STRAIGHT	1
50	120958	COUPLING-3.00 GRUVLOK	2
51	120991	REDUCER FITTING-2.00 X 3.00 GRUVLOK	1
52	70819	MUD MIXER JET	1
53	70499	TEE	1
54	70885	VENTURI	1
55	70822	TEE	1
56	22565	BATTERY TIE DOWN STRAP, JAMESTOWN #ATT-9013-3, 38"	1

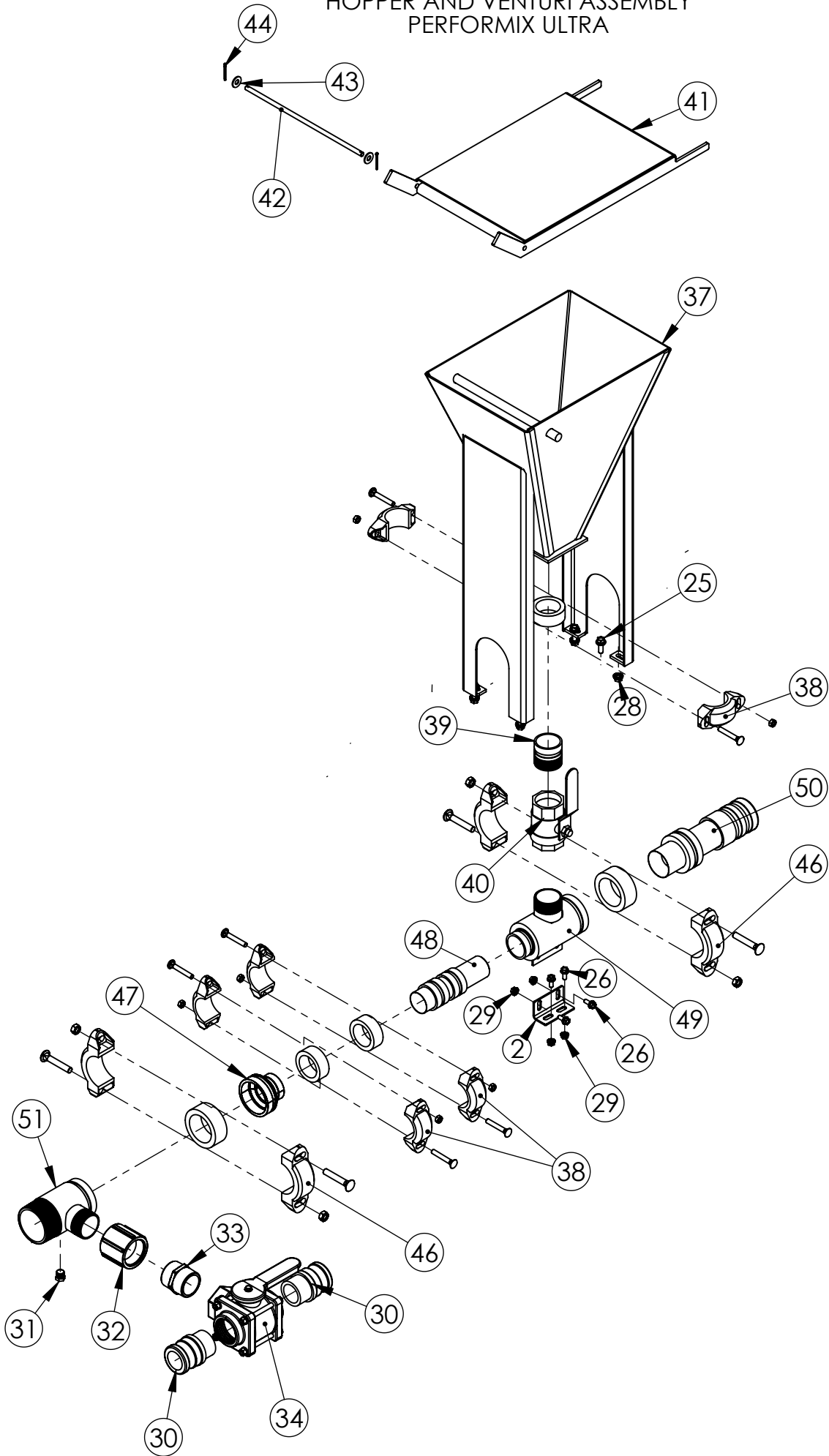
# FUEL TANK AND BATTERY PERFORMIX ULTRA



FUEL TANK AND BATTERY  
PERFORMIX ULTRA

ITEM NO.	PART NUMBER	DESCRIPTION	QTY
1	70875	SKID BASE	1
3	#6 CLAMP	#6 HOSE CLAMP	2
6	80727	PERFORMIX ULTRA, NEGATIVE BATTERY CABLE ASSY	1
7	80726	PERFORMIX ULTRA, POS BATTERY CABLE ASSY	1
9	22169	VALVE-SHUTOFF, 0.250	1
10	22171	FITTING-HOSE, 0.250	1
11	AI001290	BATTERY - 20 HP PERFORMIX	1
12	22000	FUEL TANK - PERFORMIX	1
29	1420X12HB	BOLT, HEX, 1/4-20 X 1/2" LONG	4
30	3816WHN	NUT, WHIZ, 3/8-16	19
32	70874	TANK RISER	1
34	3816X1WHB	BOLT, WHIZ, 3/8-16 X 1" LONG	11
49	65595	1/4" FUEL LINE - 33" LONG	1
50	120958	COUPLING-3.00 GRUVLOK	2
51	120991	REDUCER FITTING-2.00 X 3.00 GRUVLOK	1
52	70819	MUD MIXER JET	1
53	70499	TEE	1
54	70885	VENTURI	1
55	70822	TEE	1
56	22565	BATTERY TIE DOWN STRAP, JAMESTOWN #ATT-9013-3, 38"	1

# HOPPER AND VENTURI ASSEMBLY PERFORMIX ULTRA

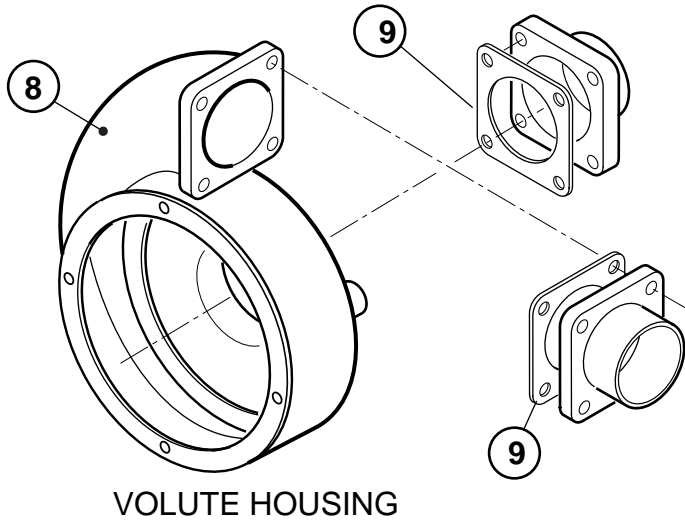
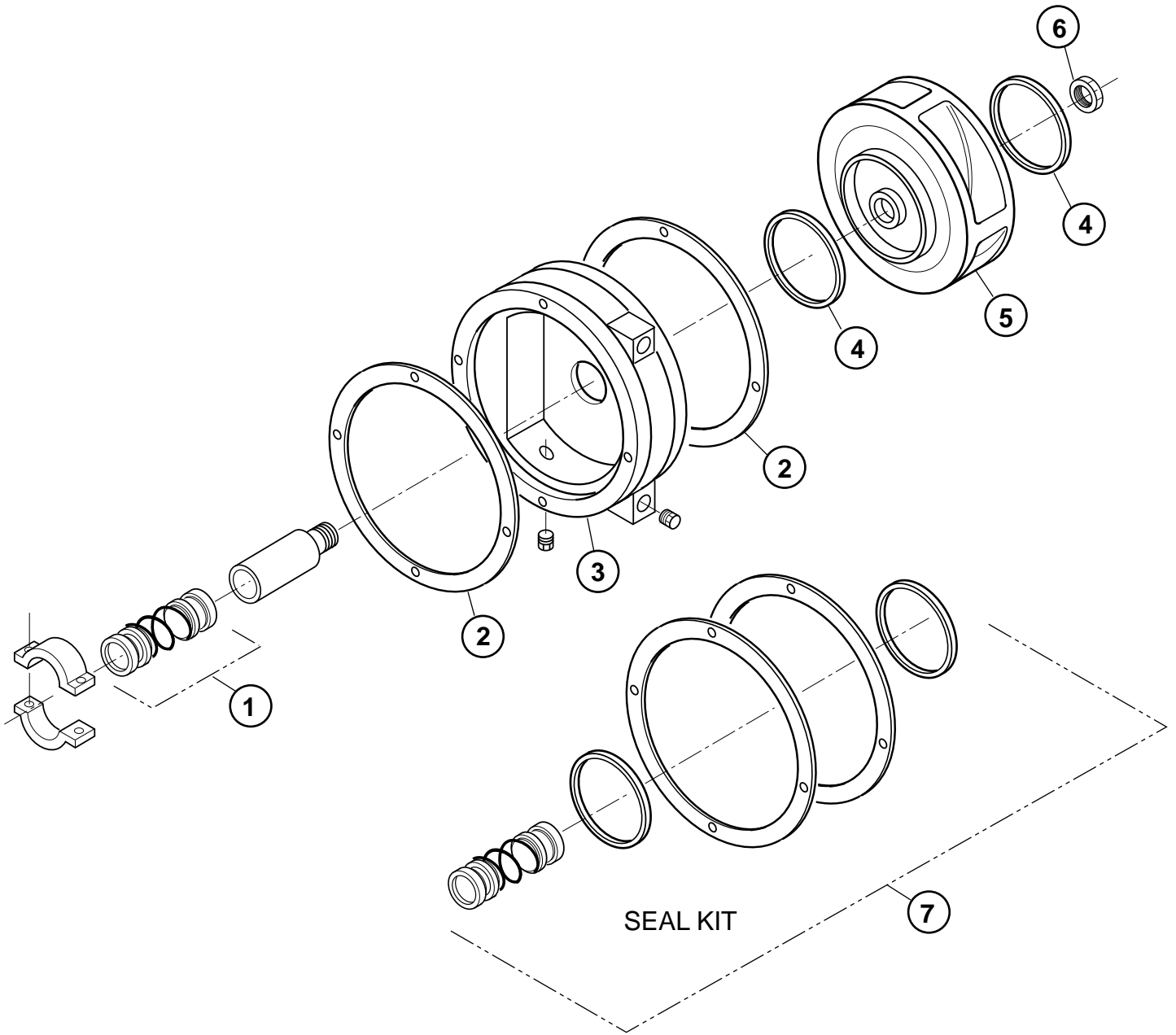


HOPPER AND VENTURI SYSTEM  
PERFORMIX ULTRA

Item	PART NUMBER	DESCRIPTION	Qty
2	63939	SHEET L BRACKET	1
25	3816X1WHB	BOLT, WHIZ, 3/8-16 X 1" LONG	11
26	51618X34WHB	BOLT, WHIZ, 5/16-18 X 3/4" LONG	4
28	3816WHN	NUT, WHIZ, 3/8-16	15
29	51618WHN	NUT, WHIZ, 5/16-18	4
30	236-3757-02	QUICK CONNECT-2.00 M X 2.00 MNPT	2
31	6MPPLUG	PLUG-PIPE,5/8 NPT	1
32	22459	FITTING, POLY, BANJO, CPLG200	1
33	22458	BANJO - 2" NIPPLE SHORT	1
34	22583	3-WAY VALVE	1
37	70887	HOPPER	1
38	120957	COUPLING-2.00 GRUVLOK	3
39	64015	TUBE 2" GROOVLOK	1
40	236-7978-02	VALVE-BALL, 2.00 BRASS	1
41	70883	LID HOPPER	1
42	63935	ROD LID	1
43	38FW	WASHER, FLAT, 3/8"	2
44	236-2978-02	COTTER PIN-.125 X 1.250	2
46	120958	COUPLING-3.00 GRUVLOK	2
47	120991	REDUCER FITTING-2.00 X 3.00 GRUVLOK	1
48	70819	MUD MIXER JET	1
49	70499	TEE	1
50	70885	VENTURI	1
51	70822	TEE	1
52	22565	BATTERY TIE DOWN STRAP, JAMESTOWN #ATT-9013-3, 38"	1

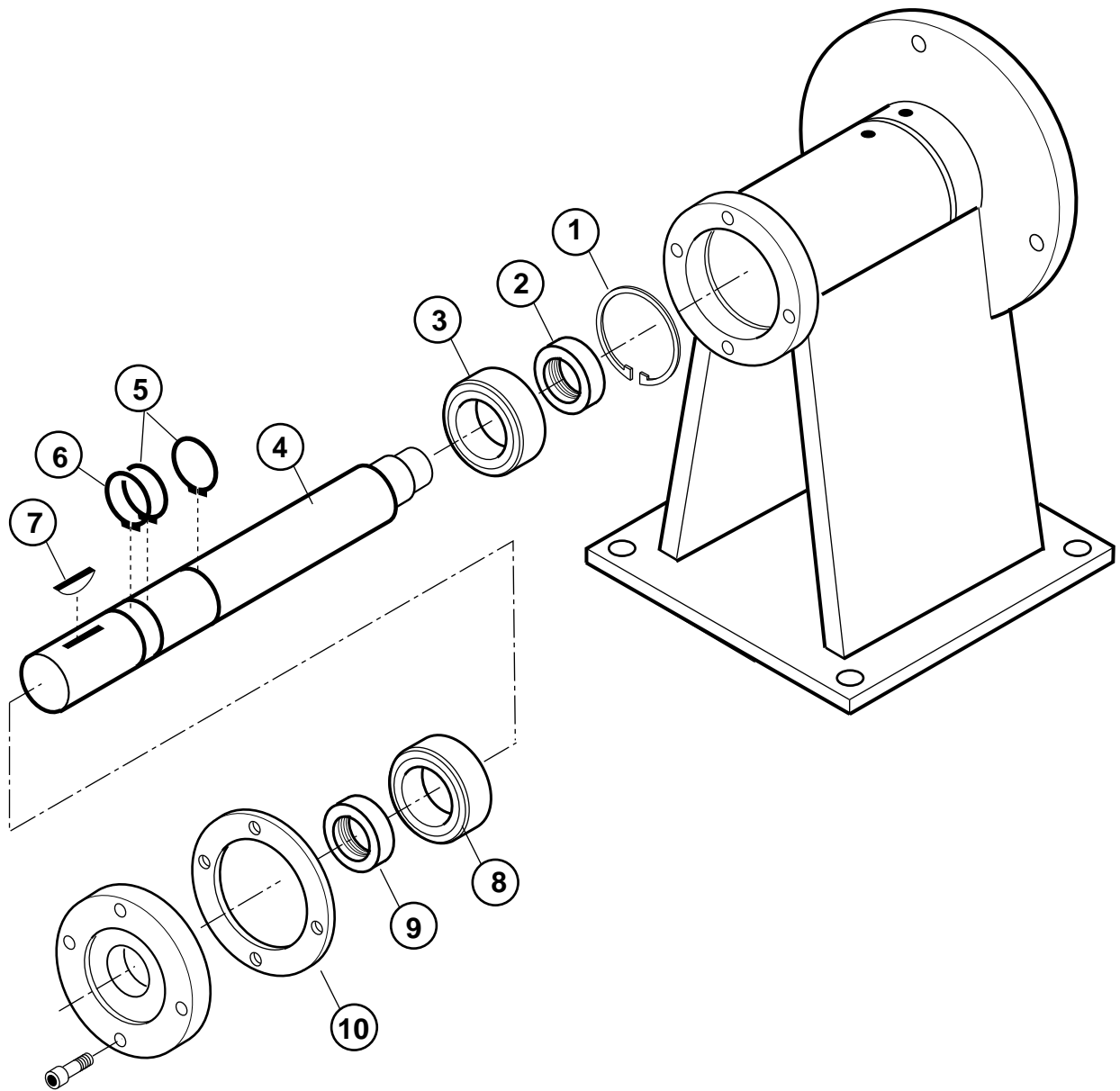


REPAIR PARTS - JOHN BLUE PUMP (12HP & 20HP)



## REPAIR PARTS - JOHN BLUE PUMP (12HP &amp; 20HP)

ITEM	PART NO.	DESCRIPTION	QTY
1	22434	DOUBLE SEAL KIT	1
2	22435	GASKET, SEAL	2
3	22438	RESERVOIR	1
4	22420	ANNULAR SEAL	2
5	22421	IMPELLER	1
6	22422	LOCKNUT, 3/4-16 LEFT HAND	1
7	22433	SEAL KIT (INCL: 22434(1), 22435(X2), 22420(X2))	1
8	22437	VOLUTE HOUSING	1
9	22436	FLANGE GASKET	2



## REPAIR PARTS - JOHN BLUE PUMP PEDESTAL (20HP UNITS)

10

ITEM	PART NO.	DESCRIPTION	QTY
1	22432	RETAINING RING, INTERNAL	1
2	22431	INBOARD GREASE SEAL	1
3	22430	INBOARD BEARING	1
4	22428	IMPELLER SHAFT	1
5	22429	RETAINING RING, EXTERNAL	2
6	22427	RETAINING RING	1
7	22426	WOODRUFF KEY	1
8	22425	OUTBOARD BEARING	1
9	22424	OUTBOARD GREASE SEAL	1
10	22423	BEARING CAP GASKET	1